





## VALVOLE DI SICUREZZA

- Elemento di regolazione della pressione situato all'interno del corpo valvola a garanzia contro manovre accidentali.
- Finitura standard: lucidatura esterna e satinatura interna grana 120. Altre finiture a richiesta.
- Regolabili da 0 a 5 bar; a richiesta, regolabili fino a 12 bar.

## RELIEF VALVES

- Pressure control element located inside valve body to prevent accidental operation.
- Standard finish: 120 grain external polishing and internal glazing. Other finishes on request.
- Adjustable from 0 to 5 bars. On request, adjustable up to 12 bars.

## SOUPAPES DE SÛRETÉ

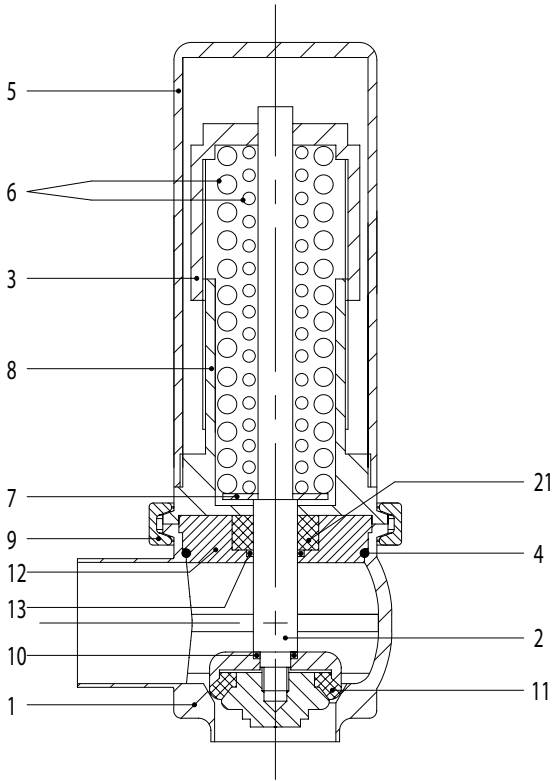
- Bague de réglage de la pression située dans le corps de la vanne afin d'éviter tout risque de manoeuvre accidentelle.
- Finissage standard: polissage extérieur et satinage intérieur grain 120. Autres finissages sur demande.
- Réglables de 0 à 5 bars; sur demande, réglables jusqu'à 12 bars.

## VÁLVULAS DE SEGURIDAD

- Tuerca de regulación de la presión situada en el interior del cuerpo de la válvula para impedir que se produzcan maniobras accidentales.
- Acabado estándar: pulido exterior y satinado interior grano 120. A pedido, se pueden suministrar otros acabados.
- Se pueden regular de 0 a 5 bares; a pedido, se pueden regular hasta 12 bares.



VALVOLA DI SICUREZZA  
RELIEF VALVE  
SOUPAPE DE SÛRETÉ  
VÁLVULA DE SEGURIDAD



- |                                                                                         |                                                                              |
|-----------------------------------------------------------------------------------------|------------------------------------------------------------------------------|
| 1. Corpo valvola<br>Valve casing<br>Corps vanne<br>Cuerpo                               | 9. Morsetto Clamp<br>Clamp<br>Collier Clamp<br>Abrazadera Clamp              |
| 2. Tampone<br>Head seal<br>Piston<br>Macho                                              | 10. Anello di tenuta OR<br>OR seal ring<br>Joint torique<br>Junta OR         |
| 3. Elemento di regolazione<br>Adjusting cap<br>Bague de réglage<br>Tuerca de regulación | 11. Guarnizione a labbro<br>Lip gasket<br>Joint à lèvres<br>Junta de reborde |
| 4. Anello di tenuta OR<br>OR seal ring<br>Joint torique<br>Junta OR                     | 12. Testata<br>Head<br>Tête<br>Cabezal                                       |
| 5. Coperchio<br>Cover<br>Couvercle<br>Tapa                                              | 13. Anello di tenuta OR<br>OR seal ring<br>Joint torique<br>Junta OR         |
| 6. Molla<br>Spring<br>Ressort<br>Muelle                                                 | 21. Bussola PTFE<br>PTFE bush<br>Douille PTFE<br>Casquillo PTFE              |
| 7. Rondella<br>Washer<br>Rondelle<br>Arandela                                           |                                                                              |
| 8. Elemento base<br>Main assembly<br>Élément base<br>Cuerpo interno                     |                                                                              |

CODIFICAIONE  
CODING  
CODIFICATION  
CODIFICACIÓN

Pos.	Cod. base	Norme	1" 25	D 25 28	D 32 34	1 1/2" 38	D 40 40	2" 51	D 50 52	2 1/2" 63	D 65 70	3" 76	D 80 85	Mat.	Part. o agg.
1	660	L	25	28	34	38	40	51	52	63	70	76	85	4L/6L	01
2	660	L	25	28	34	38	40	51	52	63	70	76	85	6L	02
3	660		25/28	25/28	34/85	34/85	34/85	34/85	34/85	34/85	34/85	34/85	34/85	OT	03
4	OR		4118	4118	149	149	149	156	156	168	4300	4300	6337	N	
5	660		25/28	25/28	34/85	34/85	34/85	34/85	34/85	34/85	34/85	34/85	34/85	4L	05
6	660		25/28	25/28	34/40	34/40	34/40	51/52	51/52	63/70	63/70			4L	06
7	660		25/28	25/28	34/85	34/85	34/85	34/85	34/85	34/85	34/85	34/85	34/85	4L	07
8	660		25/28	25/28	34/40	34/40	34/40	51/52	51/52	63	70	76	85	4L	08
9	K15		25/38	25/38	51	51	51	63	63	76	88	101	101	4L	
10	OR		108	108	108	108	108	108	108	108	108	108	2043	N	
11	900		25/28	25/28	34/40	34/40	34/40	51/52	51/52	63	70	76	85	T/S/E/V	11
12	660		25/28	25/28	34/40	34/40	34/40	51/52	51/52	63	70	76	85	6L	12
13	OR		18x3,5	18x3,5	18x3,5	18x3,5	18x3,5	18x3,5	18x3,5	18x3,5	18x3,5	18x3,5	18x3,5	NT	
21	660		25/28	25/28	34/85	34/85	34/85	34/85	34/85	34/85	34/85	34/85	34/85	T	21



## VALVOLE DI PRESSIONE DEPRESSIONE

- Ricavate da particolari stampati a caldo o laminati e solubilizzati.
- Pressione di apertura 0,02 bar, pressione di chiusura 0,01 bar.
- Finitura standard: lucidatura esterna e satinatura interna grana 120. Altre finiture a richiesta.

## VACUUM PRESSURE VALVES

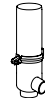
- Made from hot-rolled or press-forged material and solution heat-treated.
- Opening pressure 0.02 bars, closing pressure 0.01 bars.
- Standard finish: 120 grain external polishing and internal glazing. Other finishes on request.

## SOUPAPES DE PRESSION DÉPRESSION

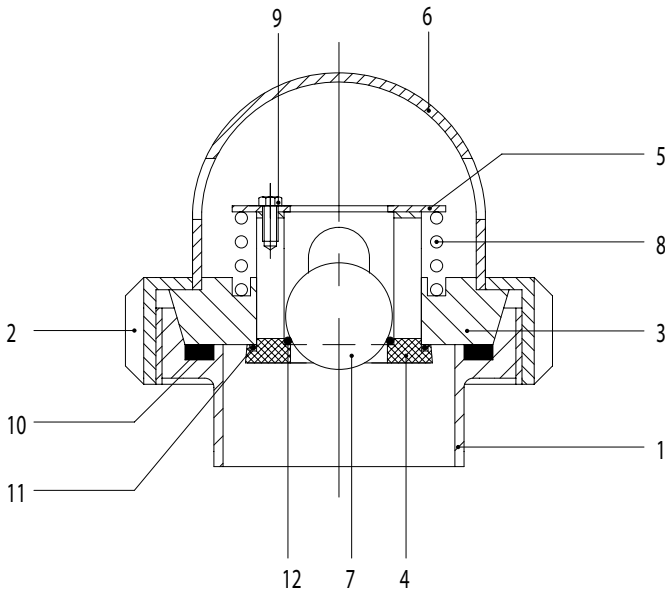
- Obtenues à partir de pièces moulées à chaud et solubilisées.
- Pression d'ouverture 0,02 bars, pression de fermeture 0,01 bars.
- Finissage standard: polissage extérieur et satinage intérieur grain 120. Autres finissages sur demande.

## VÁLVULAS DE PRESIÓN VACÍO

- Obtenidas a partir de piezas estampadas en caliente o laminadas y solubilizadas.
- Presión de abertura 0,02 bares, presión de cierre 0,01 bares.
- Acabado estándar: pulido exterior y satinado interior grano 120. A pedido, se pueden suministrar otros acabados.



VALVOLA DI PRESSIONE DEPRESSIONE  
VACUUM PRESSURE VALVE  
SOUPAPE DE PRESSION DÉPRESSION  
VÁLVULA DE PRESIÓN VACÍO



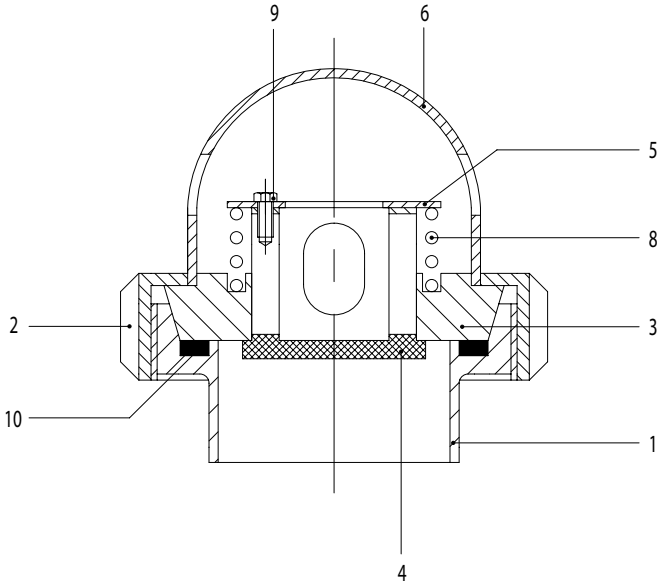
- |                                                                                          |                                                                       |
|------------------------------------------------------------------------------------------|-----------------------------------------------------------------------|
| 1. Bocchettone filettato<br>Male part<br>Pièce filetée<br>Macho racor                    | 7. Sfera<br>Ball<br>Boule<br>Bola                                     |
| 2. Girella<br>Nut<br>Écrou<br>Tuerca                                                     | 8. Molla vuoto<br>Vacuum spring<br>Ressort dépression<br>Muelle vacío |
| 3. Tappo<br>Blank<br>Bouchon<br>Tapón                                                    | 9. Vite<br>Screw<br>Vis<br>Tornillo                                   |
| 4. Elemento di bloccaggio<br>Locking device<br>Élement de blocage<br>Elemento de bloqueo | 10. Guarnizione<br>Seal<br>Joint<br>Junta                             |
| 5. Disco superiore<br>Upper disk<br>Disque supérieur<br>Disco superior                   | 11. Anello di tenuta OR<br>OR seal ring<br>Joint torique<br>Junta OR  |
| 6. Cappello<br>Cap<br>Capot<br>Capuchón                                                  | 12. Anello di tenuta OR<br>OR seal ring<br>Joint torique<br>Junta OR  |

CODIFICAIONE  
CODING  
CODIFICATION  
CODIFICACIÓN

Pos.	Cod. base	Norme	1 1/2"	D 40	2"	D 50	2 1/2"	D 65	Mat.	Part. o agg.
			38	40	51	52	63	70		
1	117	D	38	40	51	52	63	70	4L	01
2	121	D	40	40	50	50	65	65	4L	02
3	645		38/40	38/40	51/52	51/52	63/70	63/70	4L	03
4	645		38/40	38/40	51/52	51/52	63/70	63/70	T/A	04
5	645		38/40	38/40	51/52	51/52	63/70	63/70	4	05
6	645		38/40	38/40	51/52	51/52	63/70	63/70	4	06
7	645		38/40	38/40	51/52	51/52	63/70	63/70	4	07
8	645		38/40	38/40	51/52	51/52	63/70	63/70	4	08
9	TCCE		M3x6	M3x6	M3x6	M3x6	M3x6	M3x6	4	
10	131	D	40	40	50	50	65	65	N	10
11	OR		3062	3062	3093	3093	2175	2175	N	
12	OR		2106	2106	2137	2137	3118	3118	N	



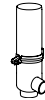
VALVOLA DI DEPRESSIONE  
 VACUUM VALVE  
 SOUPAPE DE DÉPRESSION  
 VÁLVULA DE VACÍO



- |                                                                                          |                                                                       |
|------------------------------------------------------------------------------------------|-----------------------------------------------------------------------|
| 1. Bocchettone filettato<br>Male part<br>Pièce filetée<br>Macho racor                    | 6. Cappello<br>Cap<br>Capot<br>Capuchón                               |
| 2. Girella<br>Nut<br>Écrou<br>Tuerca                                                     | 8. Molla vuoto<br>Vacuum spring<br>Ressort dépression<br>Muelle vacío |
| 3. Tappo<br>Blank<br>Bouchon<br>Tapón                                                    | 9. Vite<br>Screw<br>Vis<br>Tornillo                                   |
| 4. Elemento di bloccaggio<br>Locking device<br>Élément de blocage<br>Elemento de bloqueo | 10. Guarnizione<br>Seal<br>Joint<br>Junta                             |
| 5. Disco superiore<br>Upper disk<br>Disque supérieur<br>Disco superior                   |                                                                       |

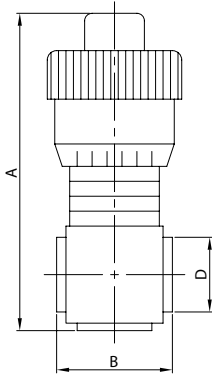
CODIFICAIONE  
 CODING  
 CODIFICATION  
 CODIFICACIÓN

Pos.	Cod. base	Norme	1 1/2" 38	D 40 40	2" 51	D 50 52	2 1/2" 63	D 65 70	Mat.	Part. o agg.
1	117	D	38	40	51	52	63	70	4L	01
2	121	D	40	40	50	50	65	65	4L	02
3	645		38/40	38/40	51/52	51/52	63/70	63/70	4L	03
4	645		38/40	38/40	51/52	51/52	63/70	63/70	T/A	04
5	645		38/40	38/40	51/52	51/52	63/70	63/70	4	05
6	645		38/40	38/40	51/52	51/52	63/70	63/70	4	06
8	645		38/40	38/40	51/52	51/52	63/70	63/70	4	08
9	TCCE		M3x6	M3x6	M3x6	M3x6	M3x6	M3x6	4	
10	131	D	40	40	50	50	65	65	N	10



V. REGOLAZIONE FLUSSO SR.  
 FLOW CONTROL V. WG.  
 V. RÉGLAGE FLUX SR.  
 V. REGULACIÓN SR.

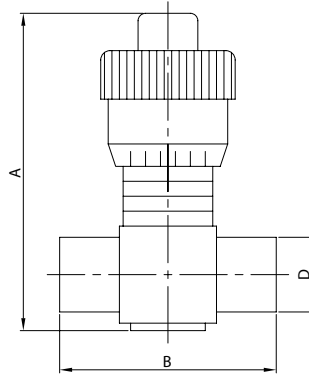
**619 L**



DN	A	B	D	gr
28	127,0	43,0	28,0	1.220
34	140,0	50,0	34,0	2.200
40	165,0	60,0	40,0	2.820
52	200,0	70,0	52,0	3.760
70	253,0	87,0	70,0	7.420

V. REGOLAZIONE FLUSSO EL.  
 FLOW CONTROL V. PE.  
 V. RÉGLAGE FLUX BL.  
 V. REGULACIÓN EL.

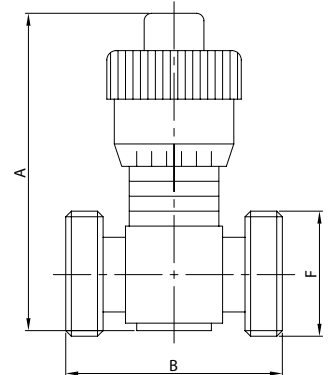
**620 L**



DN	A	B	D	gr
28	127,0	83,0	28,0	1.250
34	140,0	90,0	34,0	2.260
40	165,0	100,0	40,0	2.860
52	200,0	124,0	52,0	3.820
70	253,0	137,0	70,0	7.460

V. REGOLAZIONE FLUSSO EF.  
 FLOW CONTROL V. ME.  
 V. RÉGLAGE FLUX BF.  
 V. REGULACIÓN ER.

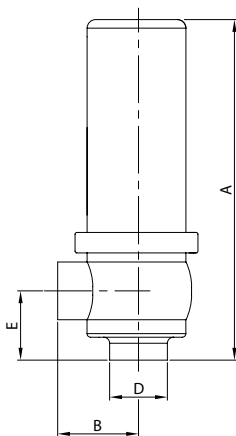
**621 D**



DN	A	B	F	gr
25	127,0	101,0	52-6	1.440
32	140,0	114,0	58-6	2.560
40	165,0	126,0	65-6	3.150
50	200,0	140,0	78-6	4.200
65	253,0	167,0	95-6	8.300

VALVOLA SICUREZZA EL.  
 RELIEF VALVE PE.  
 SOUPAPE SÛRETÉ BL.  
 VÁLVULA SEGURIDAD EL.

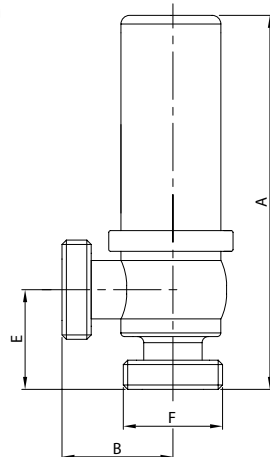
**660 L**



DN	A	B	D	E	gr
28	190,0	45,0	28,0	30,0	2.185
34	233,0	55,0	34,0	38,0	2.160
40	234,0	56,0	40,0	39,0	2.280
52	245,0	65,0	52,0	45,0	2.910
70	270,0	80,0	70,0	57,0	4.650
85	286,0	95,0	85,0	66,0	6.200

VALVOLA SICUREZZA EF.  
 RELIEF VALVE ME.  
 SOUPAPE SÛRETÉ BF.  
 VÁLVULA SEGURIDAD ER.

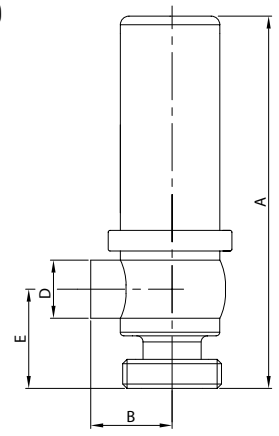
**661 D**



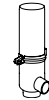
DN	A	B	E	F	gr
25	211,0	59,0	51,0	52-6	2.445
32	254,0	69,0	59,0	58-6	2.500
40	255,0	69,0	60,0	65-6	3.300
50	266,0	78,0	66,0	78-6	3.470
65	295,0	95,0	82,0	95-6	5.410
80	321,0	114,0	101,0	110-4	7.400

VALVOLA SICUREZZA EL./EF.  
 RELIEF VALVE PE./ME.  
 SOUPAPE SÛRETÉ BL./BF.  
 VÁLVULA SEGURIDAD EL./ER.

**662 D**

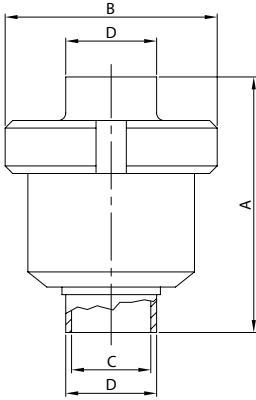


DN	A	B	D	E	gr
25	211,0	45,0	28,0	51,0	2.315
32	254,0	55,0	34,0	59,0	2.330
40	255,0	56,0	40,0	60,0	3.020
50	266,0	65,0	52,0	66,0	3.190
65	295,0	80,0	70,0	82,0	5.030
80	321,0	95,0	85,0	101,0	6.800



VALVOLA RITEGNO ES.  
 CHECK VALVE WE.  
 CLAPET RETENUE BS.  
 VÁLVULA RETENCIÓN ES.

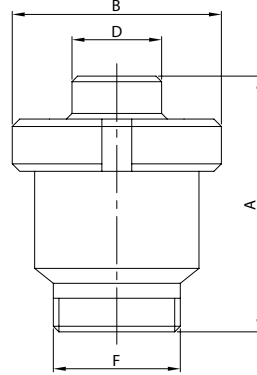
**641 D**



DN	A	B	C	D	gr
25	87,0	78,0	25,0	28,0	1.100
32	89,0	92,0	31,0	34,0	1.650
40	97,0	92,0	37,0	40,0	1.530
50	101,5	112,0	49,0	52,0	2.440
65	119,5	138,0	66,0	70,0	4.010
80	132,0	148,0	81,0	85,0	5.340
100	118,0	148,0	97,6	101,6	6.330
104	118,0	148,0	100,0	104,0	6.330

V. RITEGNO EF./BC. MR.  
 CHECK V. ME./TP. EG.  
 C. RETENUE BF./PC. DR.  
 V. RETENCIÓN ER./C. MR.

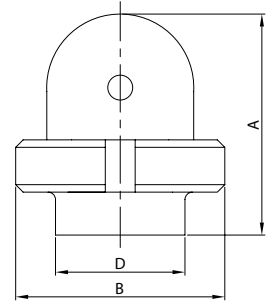
**642 D**



DN	A	B	D	F	gr
25	89,0	78,0	35,0	52-6	1.120
32	94,0	92,0	41,0	58-6	1.670
40	105,0	92,0	48,0	65-6	1.560
50	109,5	112,0	61,0	78-6	2.500
65	132,5	138,0	79,0	95-6	4.170
80	133,5	148,0	93,0	110-4	5.550
100	126,0	158,0	114,0	130-4	7.050
104	126,0	158,0	114,0	130-4	7.050

V. PRESS. DEPRESSIONE EL.  
 VACUUM PRESSURE V. PE.  
 S. PRESS. DÉPRESSION BL.  
 V. PRESIÓN VACÍO EL.

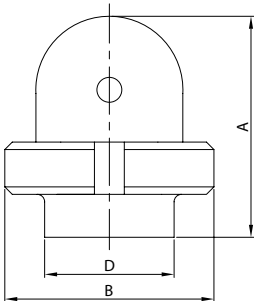
**645 L**



DN	A	B	D	gr
40	74,0	78,0	40,0	685
52	84,0	92,0	52,0	1.040
70	93,5	112,0	70,0	1.720

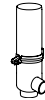
VALVOLA DEPRESSIONE EL.  
 VACUUM VALVE PE.  
 SOUPAPE DÉPRESSION BL.  
 VÁLVULA VACÍO EL.

**646 L**



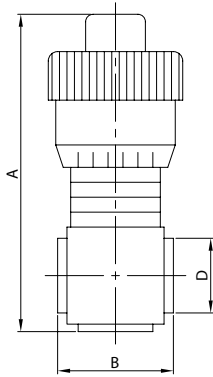
DN	A	B	D	gr
40	74,0	78,0	40,0	663
52	84,0	92,0	52,0	973
70	93,5	112,0	70,0	1.360





V. REGOLAZIONE FLUSSO SR.  
 FLOW CONTROL V. WG.  
 V. RÉGLAGE FLUX SR.  
 V. REGULACIÓN SR.

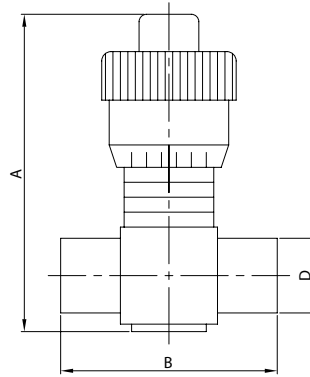
619 L



DN	A	B	D	gr
25	126,0	43,0	25,4	1.220
38	165,0	60,0	38,1	2.820
51	200,0	70,0	50,8	3.760
63	230,0	83,0	63,5	5.580
76	274,0	95,0	76,2	7.400

V. REGOLAZIONE FLUSSO EL.  
 FLOW CONTROL V. PE.  
 V. RÉGLAGE FLUX BL.  
 V. REGULACIÓN EL.

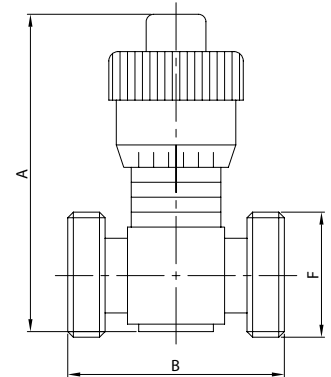
620 L



DN	A	B	D	gr
25	126,0	83,0	25,4	1.250
38	165,0	100,0	38,1	2.860
51	200,0	124,0	50,8	3.820
63	230,0	133,0	63,5	5.640
76	274,0	145,0	76,2	7.460

V. REGOLAZIONE FLUSSO EF.  
 FLOW CONTROL V. ME.  
 V. RÉGLAGE FLUX BF.  
 V. REGULACIÓN ER.

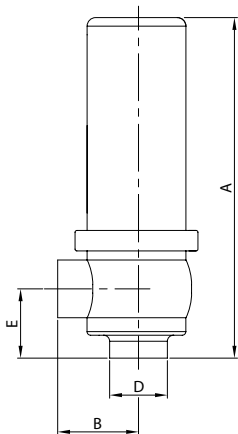
621 S



DN	A	B	F	gr
25	126,0	83,0	40-6	1.350
38	165,0	106,0	60-6	3.200
51	200,0	120,0	70-6	4.360
63	230,0	143,0	85-6	6.560
76	274,0	165,0	98-6	8.680

VALVOLA SICUREZZA EL.  
 RELIEF VALVE PE.  
 SOUPAPE SÛRETÉ BL.  
 VÁLVULA SEGURIDAD EL.

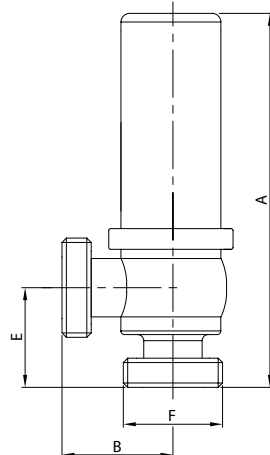
660 L



DN	A	B	D	E	gr
25	190,0	45,0	25,4	30,0	2.185
38	233,0	56,0	38,1	38,0	2.270
51	245,0	65,0	50,8	45,0	2.910
63	261,0	70,0	63,5	52,0	4.550
76	276,0	80,0	76,2	60,0	6.100

VALVOLA SICUREZZA EF.  
 RELIEF VALVE ME.  
 SOUPAPE SÛRETÉ BF.  
 VÁLVULA SEGURIDAD ER.

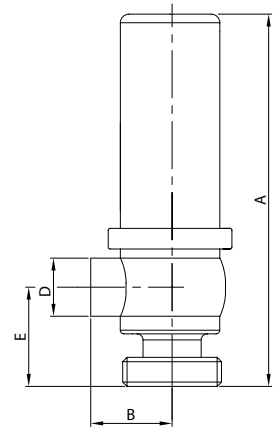
661 S



DN	A	B	E	F	gr
25	214,0	60,0	45,0	40-6	2.325
38	253,0	76,0	58,0	60-6	2.650
51	265,0	85,0	65,0	70-6	3.310
63	285,0	94,0	76,0	85-6	5.290
76	300,0	104,0	84,0	98-6	7.060

VALVOLA SICUREZZA EL./EF.  
 RELIEF VALVE PE./ME.  
 SOUPAPE SÛRETÉ BL./BF.  
 VÁLVULA SEGURIDAD EL./ER.

662 S

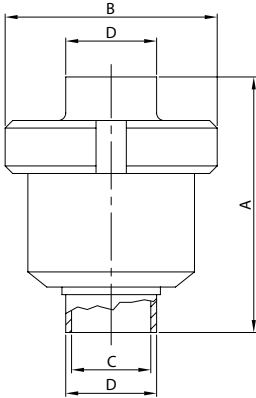


DN	A	B	D	E	gr
25	214,0	45,0	25,4	45,0	2.255
38	253,0	56,0	38,1	58,0	2.460
51	265,0	65,0	50,8	65,0	3.110
63	285,0	70,0	63,5	76,0	4.920
76	300,0	80,0	76,2	84,0	6.580



VALVOLA RITEGNO ES.  
 CHECK VALVE WE.  
 CLAPET RETENUE BS.  
 VÁLVULA RETENCIÓN ES.

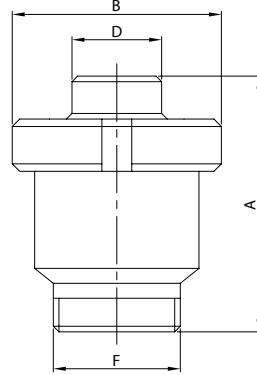
**641 S**



DN	A	B	C	D	gr
25	76,0	74,0	22,4	25,4	1.100
38	98,0	84,0	35,1	38,1	1.530
51	94,0	100,0	47,8	50,8	2.440
63	108,0	114,0	60,5	63,5	4.010
76	126,0	154,0	72,9	76,2	5.340
101	118,0	154,0	97,6	101,6	6.330

V. RITEGNO EF./BL. MR.  
 CHECK V. ME./L. EG.  
 C. RETENUE BF./PL. DR.  
 V. RETENCIÓN ER./C. MR.

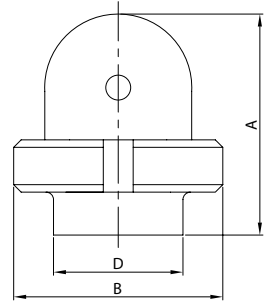
**642 S**



DN	A	B	D	F	gr
25	79,5	74,0	32,0	40-6	1.120
38	102,0	84,0	48,0	60-6	1.560
51	100,0	100,0	61,0	70-6	2.500
63	122,5	114,0	73,5	85-6	4.170
76	132,0	154,0	86,0	98-6	5.550
101	127,0	154,0	116,0	132-6	7.050

V. PRESS. DEPRESSIONE EL.  
 VACUUM PRESSURE V. PE.  
 S. PRESS. DÉPRESSION BL.  
 V. PRESIÓN VACÍO EL.

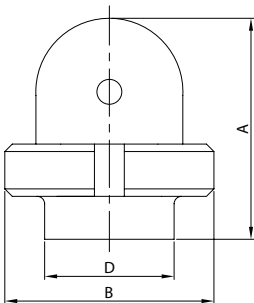
**645 L**



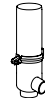
DN	A	B	D	gr
38	74,0	78,0	38,1	685
51	84,0	92,0	50,8	1.050
63	93,5	112,0	63,5	1.750

VALVOLA DEPRESSIONE EL.  
 VACUUM VALVE PE.  
 S. DÉPRESSION BL.  
 VÁLVULA VACÍO EL.

**646 L**

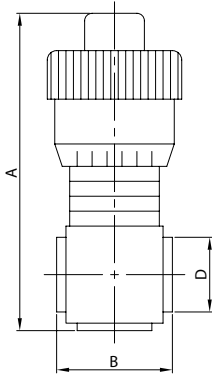


DN	A	B	D	gr
38	74,0	78,0	38,1	663
51	84,0	92,0	50,8	983
63	93,5	112,0	63,5	1.618



V. REGOLAZIONE FLUSSO SR.  
 FLOW CONTROL V. WG.  
 V. RÉGLAGE FLUX SR.  
 V. REGULACIÓN SR.

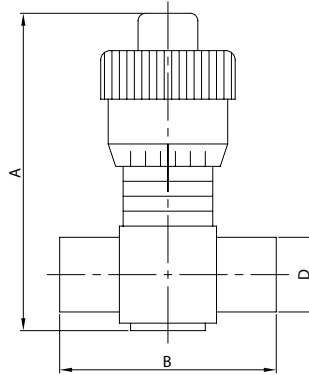
**619 L**



DN	A	B	D	gr
25	126,0	43,0	25,4	1.220
38	165,0	60,0	38,1	2.820
51	200,0	70,0	50,8	3.760
63	230,0	83,0	63,5	5.580
76	274,0	95,0	76,2	7.400

V. REGOLAZIONE FLUSSO EL.  
 FLOW CONTROL V. PE.  
 V. RÉGLAGE FLUX BL.  
 V. REGULACIÓN EL.

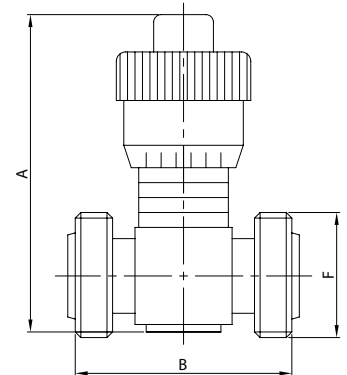
**620 L**



DN	A	B	D	gr
25	126,0	83,0	25,4	1.250
38	165,0	100,0	38,1	2.860
51	200,0	124,0	50,8	3.820
63	230,0	133,0	63,5	5.640
76	274,0	145,0	76,2	7.460

V. REGOLAZIONE FLUSSO EF.  
 FLOW CONTROL V. ME.  
 V. RÉGLAGE FLUX BF.  
 V. REGULACIÓN ER.

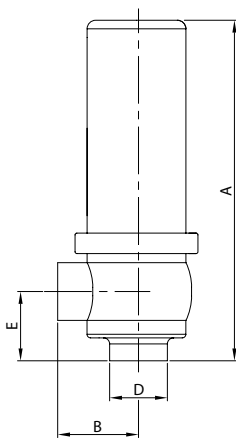
**621 B**



DN	A	B	F	gr
25	126,0	97,0	46-8	1.450
38	165,0	114,0	58-8	3.140
51	200,0	124,0	73-6	4.240
63	230,0	137,0	85-6	6.140
76	274,0	149,0	98-6	8.100

VALVOLA SICUREZZA EL.  
 RELIEF VALVE PE.  
 SOUPAPE SÛRETÉ BL.  
 VÁLVULA SEGURIDAD EL.

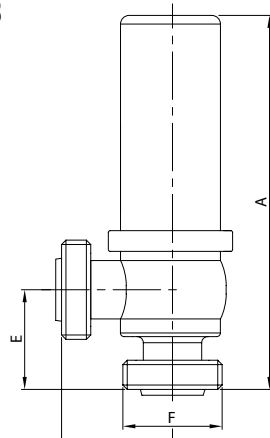
**660 L**



DN	A	B	D	E	gr
25	190,0	45,0	25,4	30,0	2.185
38	233,0	56,0	38,1	38,0	2.270
51	245,0	65,0	50,8	45,0	2.910
63	261,0	70,0	63,5	52,0	4.550
76	276,0	80,0	76,2	60,0	6.100

VALVOLA SICUREZZA EF.  
 RELIEF VALVE ME.  
 SOUPAPE SÛRETÉ BF.  
 VÁLVULA SEGURIDAD ER.

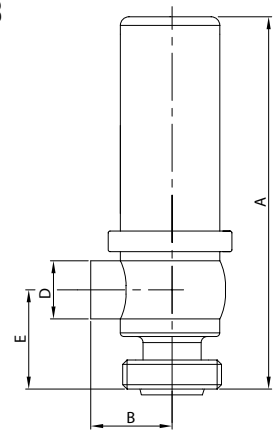
**661 B**



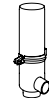
DN	A	B	E	F	gr
25	214,0	69,0	54,0	46-8	2.385
38	257,0	80,0	62,0	58-8	2.590
51	269,0	89,0	69,0	76-6	3.390
63	285,0	94,0	76,0	85-6	5.110
76	300,0	104,0	84,0	98-6	6.800

VALVOLA SICUREZZA EL./EF.  
 RELIEF VALVE PE./ME.  
 SOUPAPE SÛRETÉ BL./BF.  
 VÁLVULA SEGURIDAD EL./ER.

**662 B**



DN	A	B	D	E	gr
25	214,0	45,0	25,4	54,0	2.285
38	257,0	56,0	38,1	62,0	2.430
51	269,0	65,0	50,8	69,0	3.150
63	285,0	70,0	63,5	76,0	4.830
76	300,0	80,0	76,2	84,0	6.450

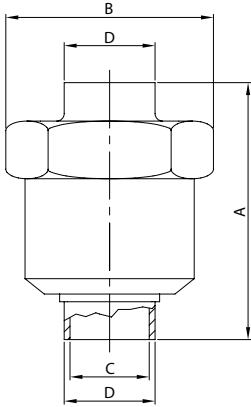


VALVOLA RITEGNO ES.  
 CHECK VALVE WE.  
 CLAPET RETENUE BS.  
 VÁLVULA RETENCIÓN ES.

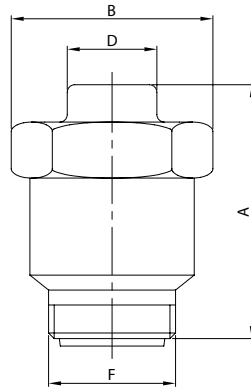
V. RITEGNO EF./BL. MR.  
 CHECK V. ME./L. EG.  
 C. RETENUE BF./PL. DR.  
 V. RETENCIÓN ER./C. MR.

V. PRESS. DEPRESSIONE EL.  
 VACUUM PRESSURE V. PE.  
 S. DÉPRESSION BL.  
 V. PRESIÓN VACÍO EL.

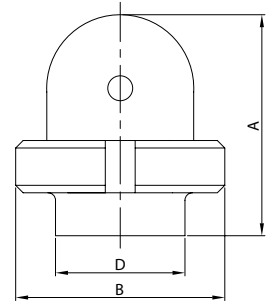
**641 B**



**642 B**



**645 L**



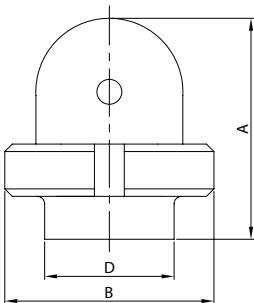
DN	A	B	C	D	gr
25	85,0	65,0	22,4	25,4	1.100
38	94,0	80,0	35,1	38,1	1.530
51	93,0	92,0	47,8	50,8	2.440
63	106,0	104,0	60,5	63,5	4.010
76	111,0	130,0	72,9	76,2	5.340
101	118,0	130,0	97,6	101,6	6.330

DN	A	B	D	F	gr
25	92,0	65,0	32,5	46-8	1.120
38	104,0	80,0	45,0	58-8	1.560
51	106,0	92,0	58,0	73-6	2.500
63	125,5	104,0	70,5	85-6	4.170
76	128,0	130,0	83,5	98-6	5.550
101	124,0	130,0	109,5	123-6	7.050

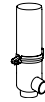
DN	A	B	D	gr
38	74,0	78,0	38,1	685
51	84,0	92,0	50,8	1.050
63	93,5	112,0	63,5	1.750

VALVOLA DEPRESSIONE EL.  
 VACUUM VALVE PE.  
 S. DÉPRESSION BL.  
 VÁLVULA VACÍO EL.

**646 L**

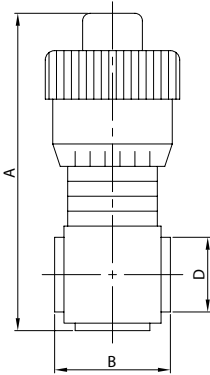


DN	A	B	D	gr
38	74,0	78,0	38,1	663
51	84,0	92,0	50,8	983
63	93,5	112,0	63,5	1.618



V. REGOLAZIONE FLUSSO SR.  
 FLOW CONTROL V. WG.  
 V. RÉGLAGE FLUX SR.  
 V. REGULACIÓN SR.

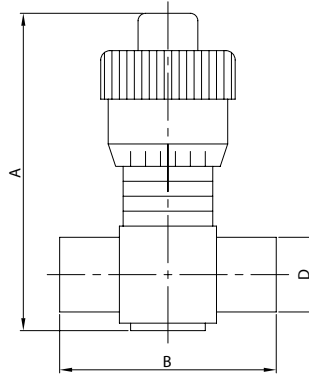
619 L



DN	A	B	D	gr
25	126,0	43,0	25,4	1.220
38	165,0	60,0	38,1	2.820
51	200,0	70,0	50,8	3.760
63	230,0	83,0	63,5	5.580
76	274,0	95,0	76,2	7.400

V. REGOLAZIONE FLUSSO EL.  
 FLOW CONTROL V. PE.  
 V. RÉGLAGE FLUX BL.  
 V. REGULACIÓN EL.

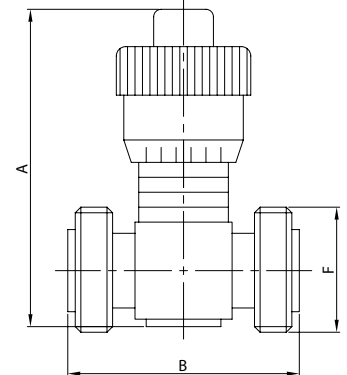
620 L



DN	A	B	D	gr
25	126,0	83,0	25,4	1.250
38	165,0	100,0	38,1	2.860
51	200,0	124,0	50,8	3.820
63	230,0	133,0	63,5	5.640
76	274,0	145,0	76,2	7.460

V. REGOLAZIONE FLUSSO EF.  
 FLOW CONTROL V. ME.  
 V. RÉGLAGE FLUX BF.  
 V. REGULACIÓN ER.

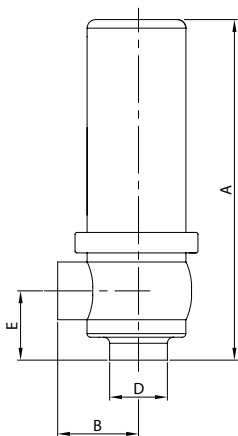
621 I



DN	A	B	F	gr
25	126,0	86,0	37-8	1.360
38	165,0	103,0	50-8	3.040
51	200,0	113,0	64-8	4.060
63	230,0	126,0	77-8	6.000
76	274,0	138,0	91-8	7.940

VALVOLA SICUREZZA EL.  
 RELIEF VALVE PE.  
 SOUPAPE SÛRETÉ BL.  
 VÁLVULA SEGURIDAD EL.

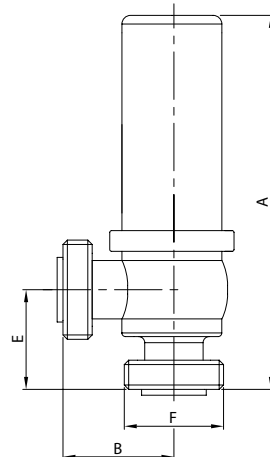
660 L



DN	A	B	D	E	gr
25	190,0	45,0	25,4	30,0	2.185
38	233,0	56,0	38,1	38,0	2.270
51	245,0	65,0	50,8	45,0	2.910
63	261,0	70,0	63,5	52,0	4.550
76	276,0	80,0	76,2	60,0	6.100

VALVOLA SICUREZZA EF.  
 RELIEF VALVE ME.  
 SOUPAPE SÛRETÉ BF.  
 VÁLVULA SEGURIDAD ER.

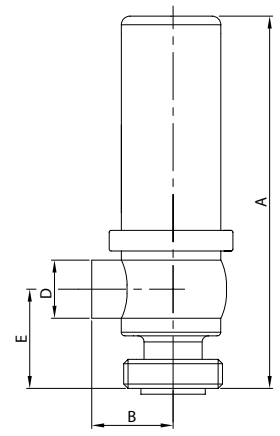
661 I



DN	A	B	E	F	gr
25	211,0	66,0	51,0	37-8	2.325
38	254,0	77,0	59,0	50-8	2.470
51	266,0	86,0	66,0	64-8	3.150
63	282,0	91,0	73,0	77-8	4.940
76	298,0	101,0	82,0	91-8	6.620

VALVOLA SICUREZZA EL./EF.  
 RELIEF VALVE PE./ME.  
 SOUPAPE SÛRETÉ BL./BF.  
 VÁLVULA SEGURIDAD EL./ER.

662 I

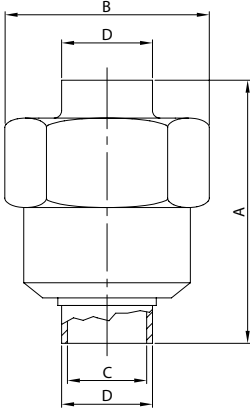


DN	A	B	D	E	gr
25	211,0	45,0	25,4	51,0	2.255
38	254,0	56,0	38,1	59,0	2.370
51	266,0	65,0	50,8	66,0	3.030
63	282,0	70,0	63,5	73,0	4.745
76	298,0	80,0	76,2	82,0	6.360



VALVOLA RITEGNO ES.  
 CHECK VALVE WE.  
 CLAPET RETENUE BS.  
 VÁLVULA RETENCIÓN ES.

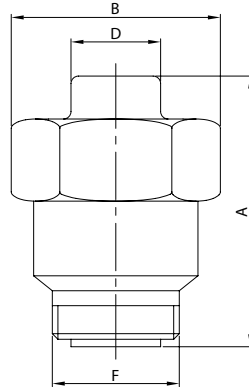
641 I



DN	A	B	C	D	gr
25	83,0	60,0	22,4	25,4	1.100
38	91,0	75,0	35,1	38,1	1.530
51	106,0	90,0	47,8	50,8	2.440
63	123,0	105,0	60,5	63,5	4.010
76	130,5	134,0	72,9	76,2	5.340
101	135,0	134,0	97,6	101,6	6.330

V. RITEGNO EF./BL. MR.  
 CHECK V. ME./L. EG.  
 C. RETENUE BF./PL. DR.  
 V. RETENCIÓN ER./C. MR.

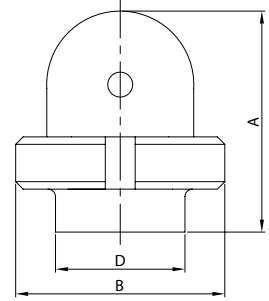
642 I



DN	A	B	D	F	gr
25	83,0	60,0	28,0	37-8	1.120
38	91,0	75,0	42,5	50-8	1.560
51	106,0	90,0	56,0	64-8	2.500
63	123,0	105,0	69,5	77-8	4.170
76	130,5	134,0	82,0	91-8	5.550
101	135,0	134,0	108,4	118-8	7.050

V. PRESS. DEPRESSIONE EL.  
 VACUUM PRESSURE V. PE.  
 S. DÉPRESSION BL.  
 V. PRESIÓN VACÍO EL.

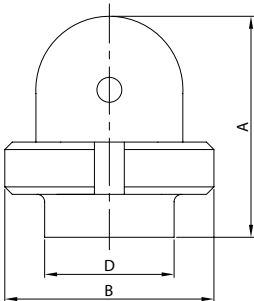
645 L



DN	A	B	D	gr
38	74,0	78,0	38,1	685
51	84,0	92,0	50,8	1.050
63	93,5	112,0	63,5	1.750

VALVOLA DEPRESSIONE EL.  
 VACUUM VALVE PE.  
 S. DÉPRESSION BL.  
 VÁLVULA VACÍO EL.

646 L



DN	A	B	D	gr
38	74,0	78,0	38,1	663
51	74,0	92,0	50,8	983
63	93,5	112,0	63,5	1.618